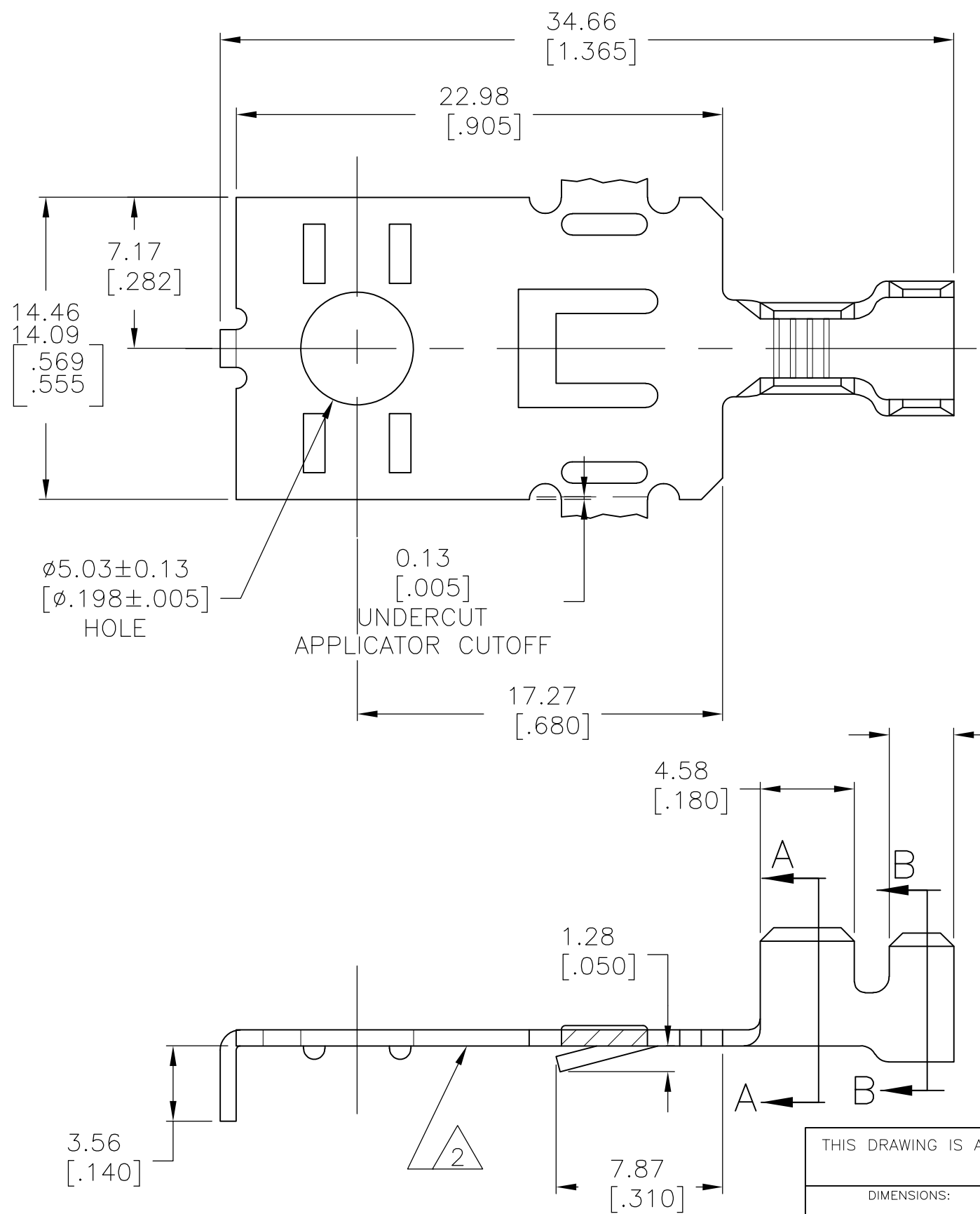
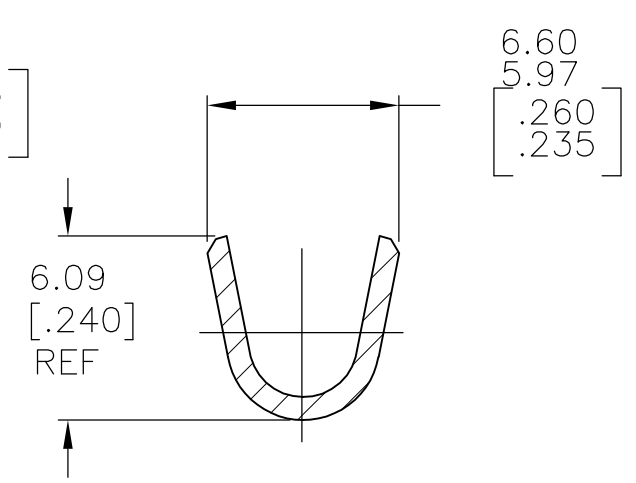
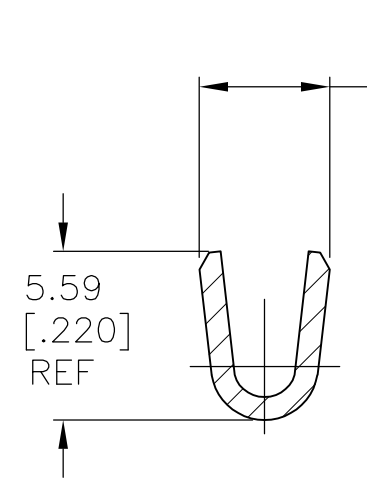


THIS DRAWING IS UNPUBLISHED. RELEASED FOR PUBLICATION
 © COPYRIGHT BY TYCO ELECTRONICS CORPORATION. ALL RIGHTS RESERVED.

LOC	DIST	REVISIONS					
		P	LTR	DESCRIPTION	DATE	DWN	APVD
AF	50		F	REVISED PER ECR-08-007741	08JUL08	HMR	GJ



- 1 CONTINUOUS STRIP ON REELS
- 2 VERTICAL BURRS NOT TO EXCEED .005 ALONG THIS EDGE.
- 3 REELED WITH WIRE BARREL OPENING FACING THE CORE
- 4 WIRE SIZE IS #16-#12 AWG OR 2X #14 AWG, [1.25mm² - 3.0mm² OR 2X 2.0mm²]
- 5 INSULATION RANGE IS 2.79 - 4.06 [.110-.160] DIA.



SECTION A-A

SECTION B-B

OBSOLETE	PRE-TIN	63166-5
	-	63166-4
	PRE-TIN	63166-3
	FINISH	PART NO.

THIS DRAWING IS A CONTROLLED DOCUMENT.		DWN	JR RUTH	28JAN03	Tyco Electronics Corporation Harrisburg, Pa 17105-3608
DIMENSIONS: mm [INCHES]		CHK	D DECKER	28JAN03	
TOLERANCES UNLESS OTHERWISE SPECIFIED:		APVD	D DECKER	28JAN03	NAME
0 PLC	± -	PRODUCT SPEC		108-1191	
1 PLC	± -	APPLICATION SPEC		114-2087	
2 PLC	± 0.25 [.010]	WEIGHT		-	
3 PLC	± -	CUSTOMER DRAWING		SCALE 4:1	
4 PLC	± -	MATERIAL		BRASS, 1/2 HARD	
ANGLES	± 1°	FINISH		SEE TABLE	
MATERIAL		FINISH		SEE TABLE	
BRASS, 1/2 HARD		SEE TABLE		SEE TABLE	
SIZE		CAGE CODE		DRAWING NO	
A3		00779		G-63166	
RESTRICTED TO		SHEET		1 OF 1	
-		REV		F	